

---

*Comfort-Aire*®

**Century**®

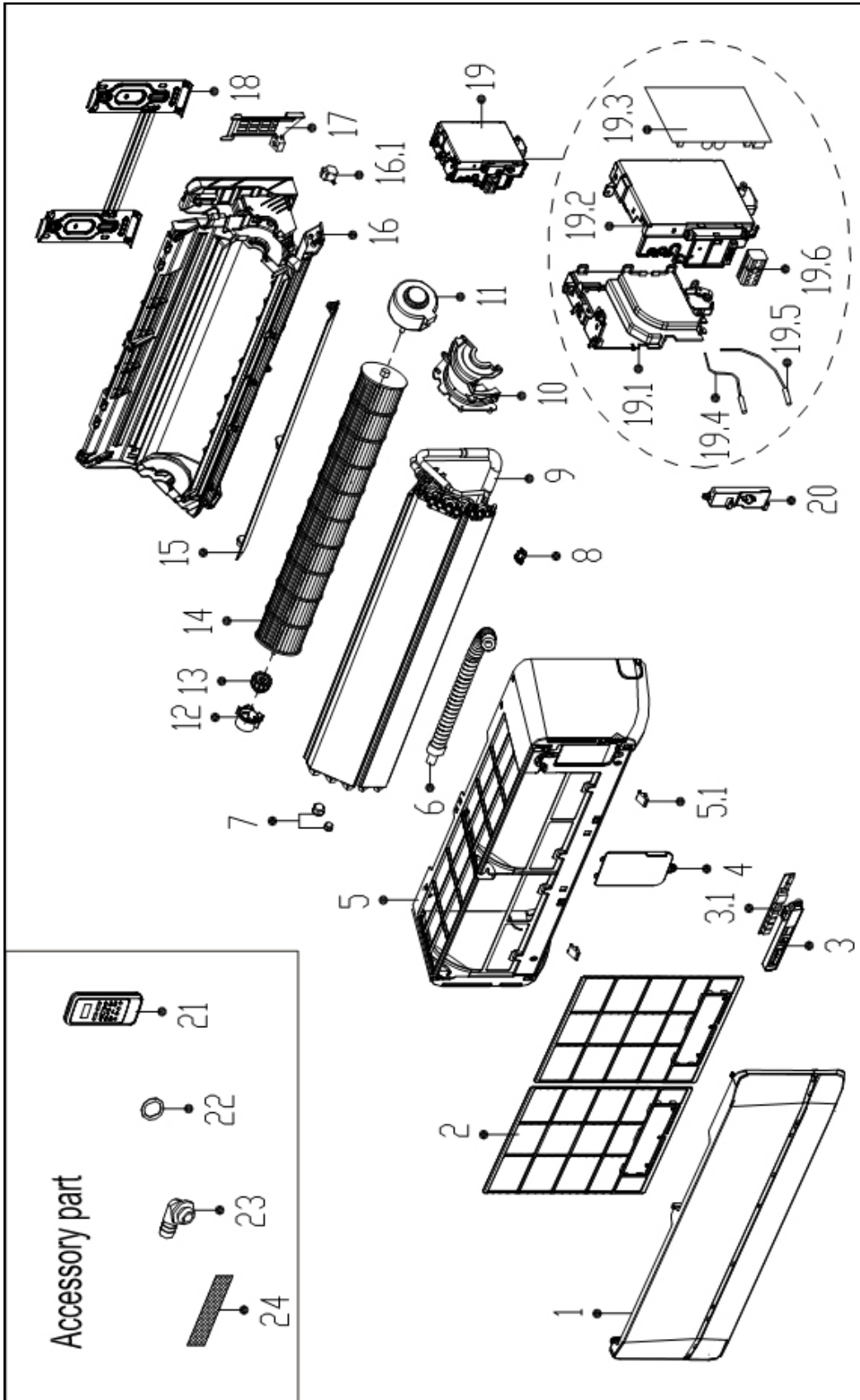
---

PARTS LIST

**Inverter Single Zone  
Indoor Ductless Mini-Split**

B-VMH09SU-1

# EXPLODED VIEW



# REPLACEMENT PARTS

| Location | Part Name                           | Quantity | Part No.       |
|----------|-------------------------------------|----------|----------------|
| 1        | Panel assembly                      | 1        | 12122000A04735 |
| 2        | Air filter                          | 2        | 12100204000466 |
| 3        | Display box assembly                | 1        | 17222000A01003 |
| 3.1      | Display board assembly              | 1        | 17122000A02033 |
| 4        | Cover of electrical equipment       | 1        | 12122000006694 |
| 5        | Panel frame assembly                | 1        | 12122000001971 |
| 5.1      | Screw cap                           | 2        | 12122000006272 |
| 6        | Drain hose                          | 1        | 12100501000021 |
| 7        | Pipe nut or copper nut              | 1        | 15500406000010 |
| 7        | Pipe nut or copper nut              | 1        | 15500406000016 |
| 8        | Fix clamp of temperature sensor     | 1        | 12100303000008 |
| 9        | Evaporator assembly                 | 1        | 15822000A04390 |
| 10       | Fan motor cover                     | 1        | 12122000005431 |
| 11       | Brushless DC motor                  | 1        | 11002015000051 |
| 12       | Bearing holder                      | 1        | 12122000000350 |
| 13       | Bearing base                        | 1        | 12622000000006 |
| 14       | Cross flow fan                      | 1        | 12100102000074 |
| 15       | Horizontal louver                   | 1        | 12122000005101 |
| 16       | Chassis assembly                    | 1        | 12122000009003 |
| 16.1     | Louver motor                        | 1        | 11002010000143 |
| 17       | Pipe clamp board                    | 1        | 12122000000455 |
| 18       | Installation plate                  | 1        | 12222000000031 |
| 19       | Electronic control box assembly     | 1        | 17222000007378 |
| 19.1     | Electronic control box I            | 1        | 12122000004586 |
| 19.3     | Indoor main control board assembly  | 1        | 17122000014254 |
| 19.4     | Ambient temperature sensor assembly | 1        | 11201007000088 |
| 19.5     | Pipe temperature sensor assembly    | 1        | 11201007000001 |
| 19.6     | Wire joint                          | 1        | 17400401000006 |
| 20       | Cover of electronic control box     | 1        | 12122000004994 |
| 21       | Remote Controller                   | 1        | 17317000A06980 |
| 22       | Seal ring                           | 1        | 12600701000039 |
| 23       | Drain joint                         | 1        | 12100509000061 |
| 24       | Air freshening filter               | 1        | 12100206000056 |

---

Due to ongoing product improvements, specifications and dimensions are subject to change and correction without notice or incurring obligations. Determining the application and suitability for use of any product is the responsibility of the installer. Additionally, the installer is responsible for verifying dimensional data on the actual product prior to beginning any installation preparations.

Incentive and rebate programs have precise requirements as to product performance and certification. All products meet applicable regulations in effect on date of manufacture; however, certifications are not necessarily granted for the life of a product. Therefore, it is the responsibility of the applicant to determine whether a specific model qualifies for these incentive/rebate programs.



1900 Wellworth Ave., Jackson, MI 49203 • Ph. 517-787-2100 • [www.comfort-aire.com](http://www.comfort-aire.com) • [www.century-hvac.com](http://www.century-hvac.com)